

TECH 4U 911

LGA 1151 Intel® Xeon® E3 v5/v6 & 6th/7th Generation Core™ i7/i5/i3 ATX Server Board with DDR4, 4 PCIe, 3 PCI, 6 USB 3.0, 6 SATA3, Quad/Dual LANs System



Conforming to BIS Standard IS 13252 (Part-1): 2010



CE FCC

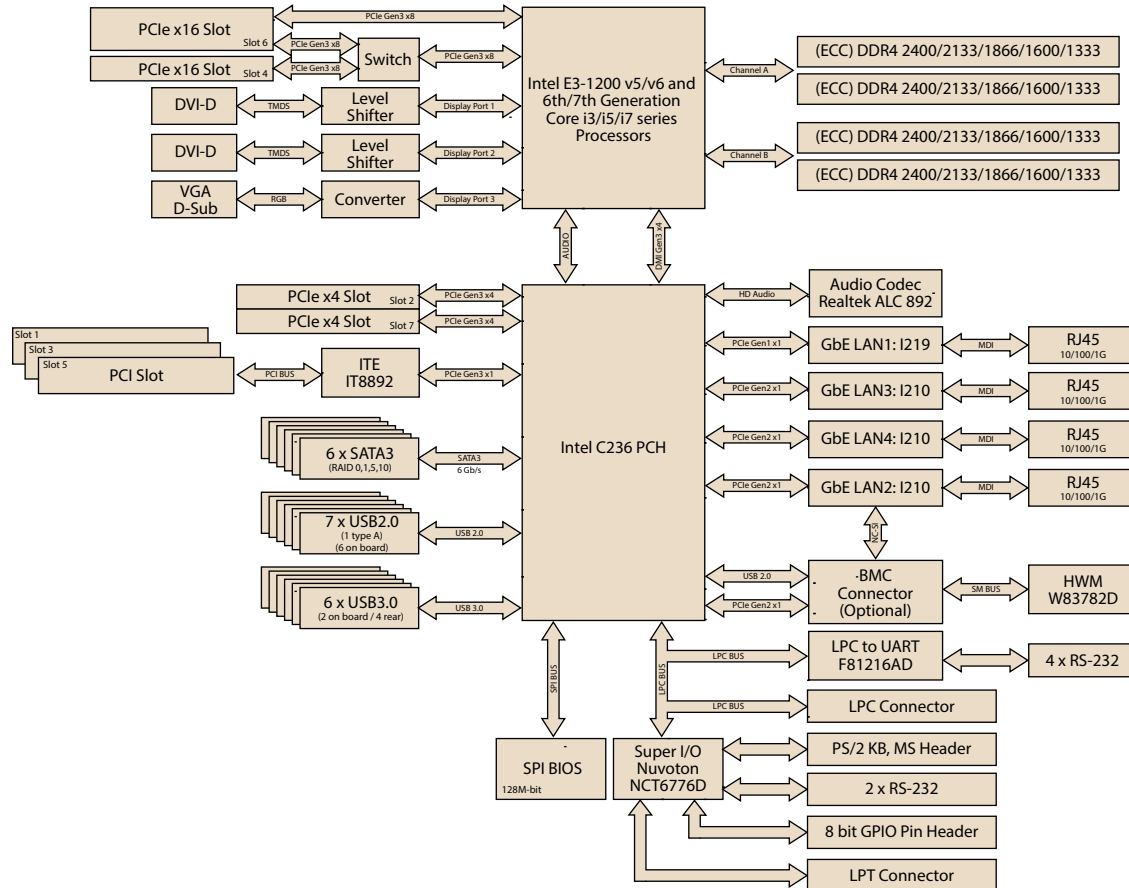
Features

- Supports LGA 1151 Intel® Xeon® E3-1200 v5/v6 and 6th/7th Generation Core™ i7/i5/i3 processors.
- DDR4 2400/2133/1866/1600/1333 MHz ECC/Non-ECC UDIMM up to 64 GB
- One Gen 3.0 PCIe x16 link (or two PCIe x16 slots with x8 link), two PCIe x4, and three PCI slots.
- Rackmount optimized placement with positive air flow design
- 0 ~ 50° C ambient operation temperature range
- Supports 400 W ATX PFC PS/2 power supply and redundant ATX power supplies.
- Front-accessible Dual USB 3.0 ports.
- Designed to withstand environmental extremes, such as shock & vibration
- Smart fan speed control.
- Front LEDs indicate power status, and HDD activity.
- Lockable front door prevents unauthorized access.
- Front-accessible system fan without opening top cover for easy maintenance
- Shock-resistant disk drive bay holds four hot-swap 3.5" and 2.5" SATA disk trays, one slim optical disk drive, and one 2.5" internal drive
- Supports Internal 5.25" DVD-RW.

Specifications

Form Factor		ATX form factor					
Processor System	Socket	Intel LGA 1151					
	CPU type	Intel® Xeon® E3-1200 v5/v6 and 6th/7th Generation Core™ i3/i5/i7 series (TDP up to 91W)					
Core Logic	Chipset	Intel C236 chipset					
Memory	Total slots	4 (Dual Channel)					
	Max. capacity	64 GB					
	Memory type	DDR4 ECC/Non-ECC 2400/2133/1866/1600 MHz UDIMM (288-pin)					
	Memory size	4 GB, 8 GB, 16 GB					
Expansion Slots	Total PCI/PCI-X/PCIe slots	7					
	Slot location 1	PCI					
	Slot location 2	PCIe x4 slot (Gen3 x4 link)					
	Slot location 3	PCI					
	Slot location 4	PCIe x16 slot (Gen3 x8 link)					
	Slot location 5	PCI					
	Slot location 6	PCIe x16 slot (Gen3 x8 or x16 link)					
Graphics	Slot location 7	PCIe x4 slot (Gen3 x4 link)					
	Controller	Intel HD Graphics					
Storage	VRAM	1 GB maximum shared memory with 2 GB and above system memory installed					
	SATA controller	Intel C236: 6 SATA3 6 Gb/s ports with Intel Matrix Storage support (for Windows only) (Supports software RAID 0, 1, 10 & 5)					
Networking	SAS controller	-					
	Interface	10/100/1000 Mbps					
Onboard I/O Connectors	Controller	GbE LAN1: Intel I219; GbE LAN 2-4: Intel I210-AT					
	Connector	RJ-45 x 2 for G2 version; RJ-45 x 4 for G4 version					
	Printer Port connector	1					
Rear I/O Connectors	PSU connector	24-pin SSI power connector + 8-pin SSI 12V power connector					
	USB connector	1 USB 3.0 (2 ports), 3 USB 2.0 (6 ports), 1 USB Type-A					
	Fan header	5 (4-pin)					
	SMBus	1					
	Chassis intruder	1					
	Front LAN LED	2					
	Serial port header	2 (support 4 RS-232 ports) + 1 (support 1 RS-232 port)					
	Audio connector	1 (ALC 892)					
	PS/2 KB/Mouse	1					
	Watchdog Timer	External serial port	1				
External USB port		4 (USB 3.0)					
VGA port		1					
DVI		2					
Display port		-					
RJ-45		2 for G2 version; 4 for G4 version					
Audio connector		2 (Mic-in, Line-out)					
PS/2 KB/Mouse		-					
Power Requirement	Output	System reset					
	Interval	Programmable 1 ~ 255 sec					
Environment	Power On	Intel® Xeon® E3-1275 v5 3.60GHz; DDR4 8G x 4					
		3.3 V	5 V	12 V	12V_8P	5 Vsb	-12 V
		0.96A	1.58A	0.32A	7.21A	0.11A	0.06A
		Operating					
		Non-operating					
		Temperature					
Physical Characteristics		0 ~ 60° C (32 ~ 140° F)					
		Depends on CPU speed and cooler solution					
		-40 ~ 85° C (-40 ~ 185° F)					
		Humidity					
		10 ~ 90%					
		10 ~ 95% (Non-condensing)					
	Dimensions (W x H x D)	482 x 177 x 479 mm (19" x 7" x 18.9")					

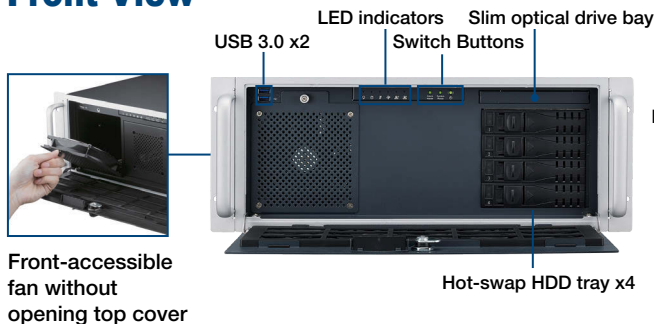
Block Diagram



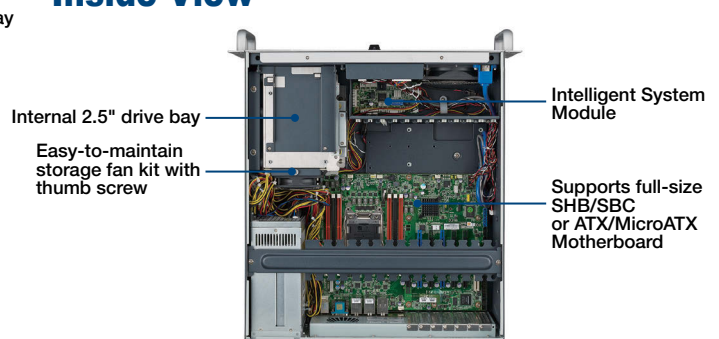
Ordering Information

Part Number	Chipset	Memory	LAN	USB 3.0	DVI	SATAIII	IPMI
TECH 4U 911	C236	DDR4 Non-ECC/ECC UDIMM	2	6	2	6	Optional

Front View



Inside View



Rear View

